

Product data sheet

Characteristics

QO250

Mini circuit breaker, QO, 50A, 2 pole, 120/240 VAC, 10 kA, plug in mount

Product availability : Stock - Normally stocked in distribution facility



Price* : 67.00 USD



Main

Product	Miniature circuit-breaker
Range	QO
Current Rating	50 A
Voltage Rating	120/240 V AC 120 V AC 48 V DC
Mounting Type	Plug-in
Number of Poles	2P
Circuit Breaker Type	Standard
Ratings	HACR rated
Electrical Connection	Box lugs

Complementary

Interrupt Rating	10 kA 120/240 V AC 50/60 Hz 10 kA 120 V AC 50/60 Hz 5 kA 48 V DC
Number of Panel Spaces	2
Wire Size	AWG 8...AWG 2 copper or aluminium
Tightening torque	44.25 lbf.in (5 N.m) 0.02...0.04 in ² (10...25 mm ²) AWG 8...AWG 2)
Maximum Height	3.12 in (79.25 mm)
Depth	2.91 in (73.91 mm)
Width	1.5 in (38.10 mm)

Environment

Certifications	UL Listed CSA
----------------	------------------

* Price is "List Price" and may be subject to a trade discount – check with your local distributor or retailer for actual price.

Ambient Rating	104 °F (40 °C)
----------------	----------------

Ordering and shipping details

Category	00004 - QO,QOT 10-30A 1P;10-60A 2P
Discount Schedule	DE2A
GTIN	00785901400523
Nbr. of units in pkg.	5
Package weight(Lbs)	0.65 lb(US) (0.29 kg)
Returnability	Yes
Country of origin	MX

Packing Units

Package 1 Height	3.20 in (8.128 cm)
Package 1 width	1.40 in (3.556 cm)
Package 1 Length	3.20 in (8.128 cm)

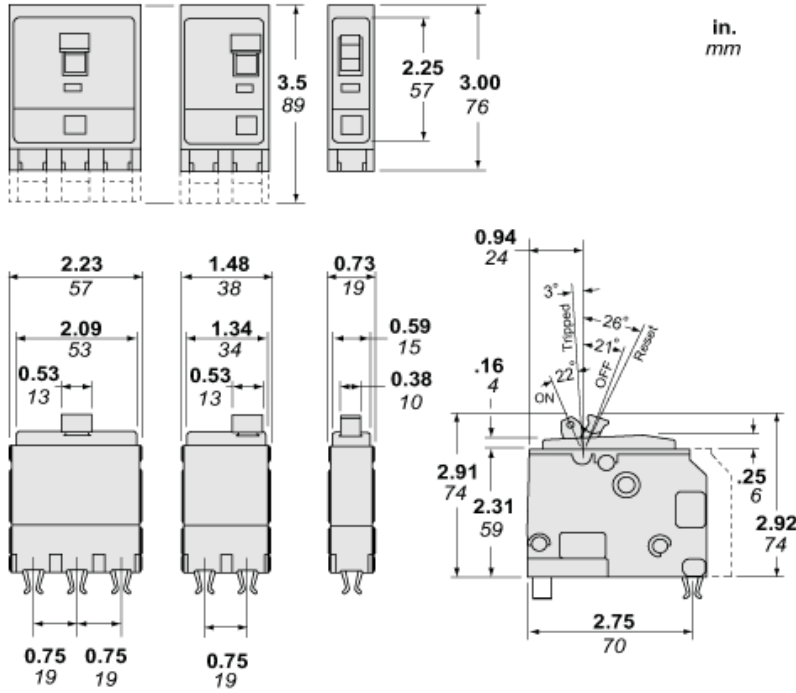
Offer Sustainability

Sustainable offer status	Green Premium product
REACH free of SVHC	Yes
EU RoHS Directive	Compliant EU RoHS Declaration
Toxic heavy metal free	Yes
Mercury free	Yes
RoHS exemption information	Yes
China RoHS Regulation	China RoHS declaration
Environmental Disclosure	Product Environmental Profile
Halogen content performance	Halogen free product

Contractual warranty

Warranty	18 months
----------	-----------

Approximate Dimensions



in.
mm